



D&C STANDARDS

COMPANY CERTIFIED API 4F, API Q1, ISO 9001





**American
Petroleum
Institute**



2018-151 | Digital

Certificate of Authority to use the Official API Monogram

License Number: 4F-0523

ORIGINAL

The American Petroleum Institute hereby grants to

D&C STANDARDS SAS
200 Mts After the Corzo Toll Via Fontibón Facatativá, Campo Bello Farm
Madrid, Cundinamarca
Colombia

the right to use the Official API Monogram® on manufactured products under the conditions in the official publications of the American Petroleum Institute entitled API Spec Q1® and **API-4F** and in accordance with the provisions of the License Agreement.

In all cases where the Official API Monogram is applied, the API Monogram shall be used in conjunction with this certificate number: **4F-0523**

The American Petroleum Institute reserves the right to revoke this authorization to use the Official API Monogram for any reason satisfactory to the Board of Directors of the American Petroleum Institute.

The scope of this license includes the following: Crown Block Assemblies, Masts, Substructures at PSL 1

QMS Exclusions: No Exclusions Identified as Applicable

Effective Date: **APRIL 13, 2026**

Expiration Date: **APRIL 13, 2029**

To verify the authenticity of this license, go to www.api.org/compositelist.

Anchal Liddar

Senior Vice President of Global Industry Services



REGISTRATION NO. Q1-7372

Certificate of Registration

The American Petroleum Institute certifies that the quality management system of

D&C STANDARDS SAS
200 Mts After the Corzo Toll Via Fontibón Facativá, Campo Bello
Farm
Madrid, Cundinamarca
Colombia

has been assessed by the American Petroleum Institute and found to be in conformance with the following:

API Spec Q1, 10th Edition

The scope of this registration and the approved quality management system applies to the

Design, Manufacture, Remanufacture and Repair of Masts, Crown Block Assemblies, Substructures and Drilling Structures for the Oil and Gas industry

API approves the organization's justification for excluding
No Exclusions Identified as Applicable



Effective Date: APRIL 13, 2026
Expiration Date: APRIL 13, 2029
Registered Since: APRIL 13, 2026

Senior Vice President of Global Industry Services

This certificate is valid for the period specified herein. The registered organization must continually meet all requirements of API Spec Q1, Specification for Quality Management System Requirements for Manufacturing Organizations for the Petroleum and Natural Gas Industry, and the requirements of the Registration Agreement. Registration is maintained and regularly monitored through annual full system audits. This certificate has been issued from API offices located at 200 Massachusetts Avenue, NW Suite 1100, Washington, DC 20001-6571, U.S.A. It is the property of API and must be returned upon request. To verify the authenticity of this certificate, go to www.api.org/compositeist.

2021-164 | 11.21 | Digital



Certificate of Registration

APIQR® REGISTRATION NUMBER
5409

This certifies that the quality management system of

D&C STANDARDS SAS
200 Mts After the Corzo Toll Via Fontibón Facativá, Campo Bello
Farm
Madrid, Cundinamarca
Colombia

has been assessed by the American Petroleum Institute Quality Registrar (APIQR®) and found it to be in conformance with the following standard:

ISO 9001:2015

The scope of this registration and the approved quality management system applies to the

Design, Manufacture, Remanufacture and Repair of Masts, Crown Block Assemblies, Substructures and Drilling Structures for the Oil and Gas industry

APIQR® approves the organization's justification for excluding:

No Exclusions Identified as Applicable

Effective Date: APRIL 13, 2026
Expiration Date: APRIL 13, 2029
Registered Since: APRIL 13, 2026

Senior Vice President of
Global Industry Services



This certificate is valid for the period specified herein. The registered organization must continually meet all requirements of APIQR's Registration Program and the requirements of the Registration Agreement. Registration is maintained and regularly monitored through annual full system audits. Further clarifications regarding the scope of this certificate and the applicability of ISO 9001 standard requirements may be obtained by consulting the registered organization. This certificate has been issued from APIQR offices located at 200 Massachusetts Avenue, NW Suite 1100, Washington, DC 20001-5571, U.S.A. It is the property of APIQR, and must be returned upon request. To verify the authenticity of this certificate, go to www.api.org/compositeist.



2021-164 | 11.21 | 1008

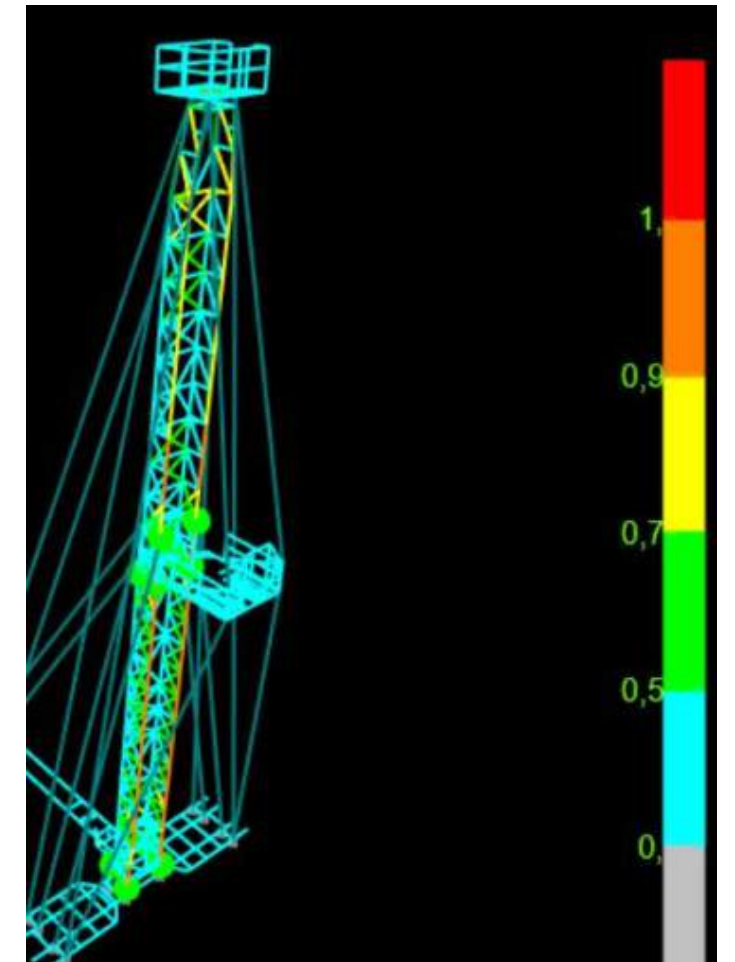
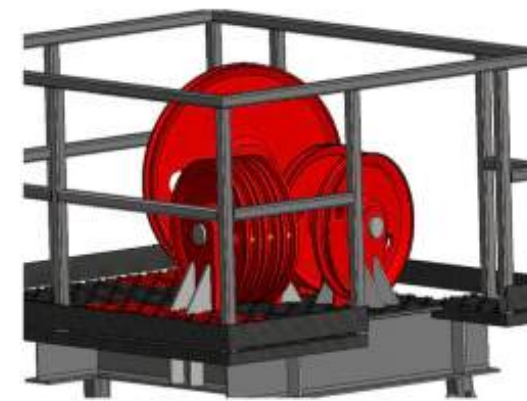


D&C
STANDARDS
UPGRADE



Operación – LUBRICACIÓN

Se recomienda lubricar los pasadores de conexión de la Hbase al momento del arme.
Se recomienda lubricar los tubos cuadrados donde desliza la torre para levantar la segunda sección.
En cada movilización se deben lubricar las poleas de la corona.





**D&C
STANDARDS**

INSPECCION CATEGORIA III

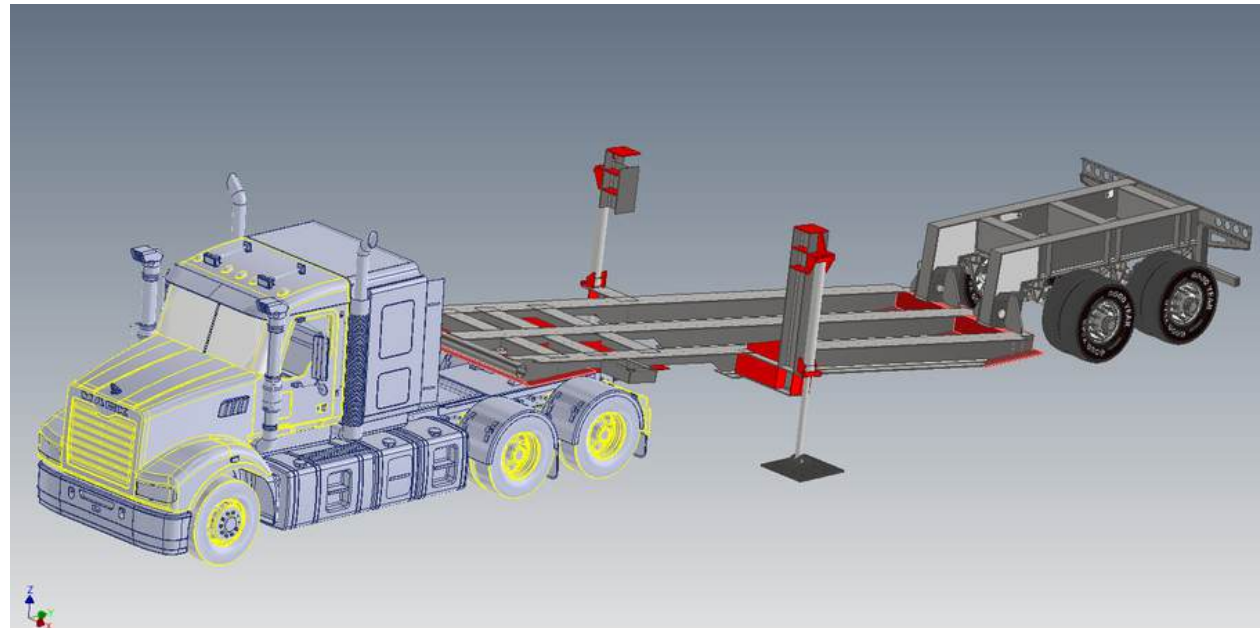
INSPECCION CATEGORIA IV





D&C
STANDARDS

Trailerizacion equipos de Perforacion



BOMBA DE LODOS



+57 3003389171

+57 3022598171

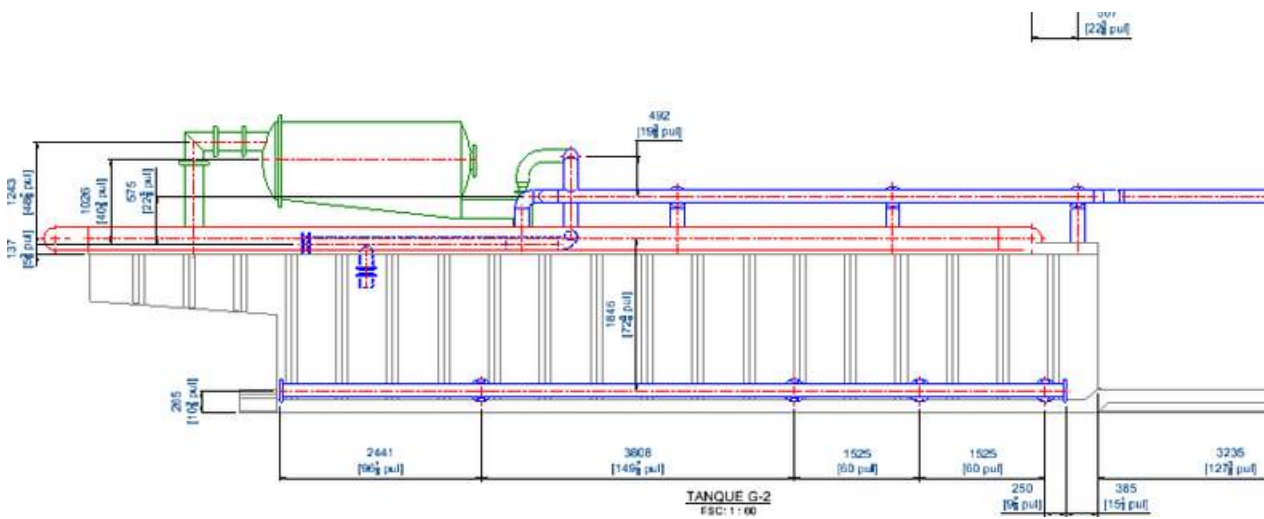


dcstandards.management@gmail.com



D&C
STANDARDS

Trailerizacion equipos de Perforacion



TANQUES DE LODOS



+57 3003389171

+57 3022598171

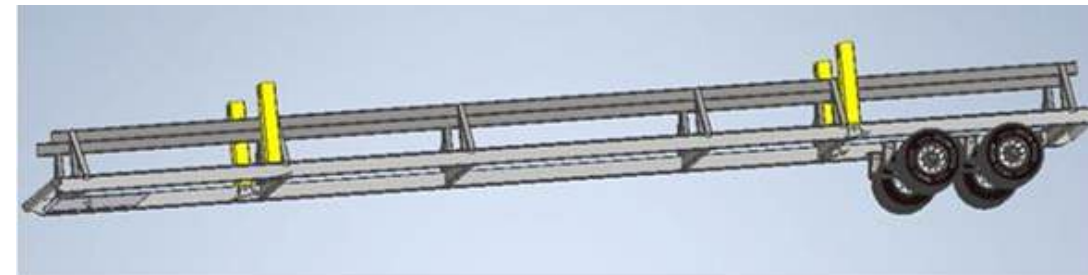


dcstandards.management@gmail.com



D&C
STANDARDS

Trailerizacion equipos de Perforacion



PIPE HANDLER



+57 3003389171

+57 3022598171

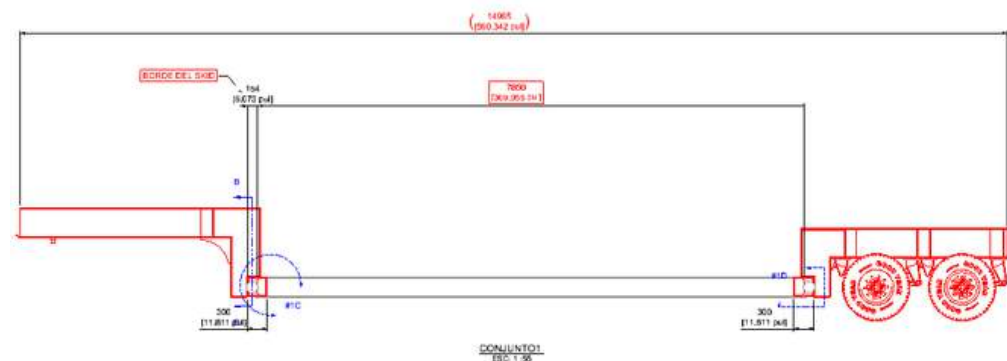


dcstandards.management@gmail.com



D&C
STANDARDS

Trailerizacion equipos de Perforacion



GENERADORES



+57 3003389171

+57 3022598171

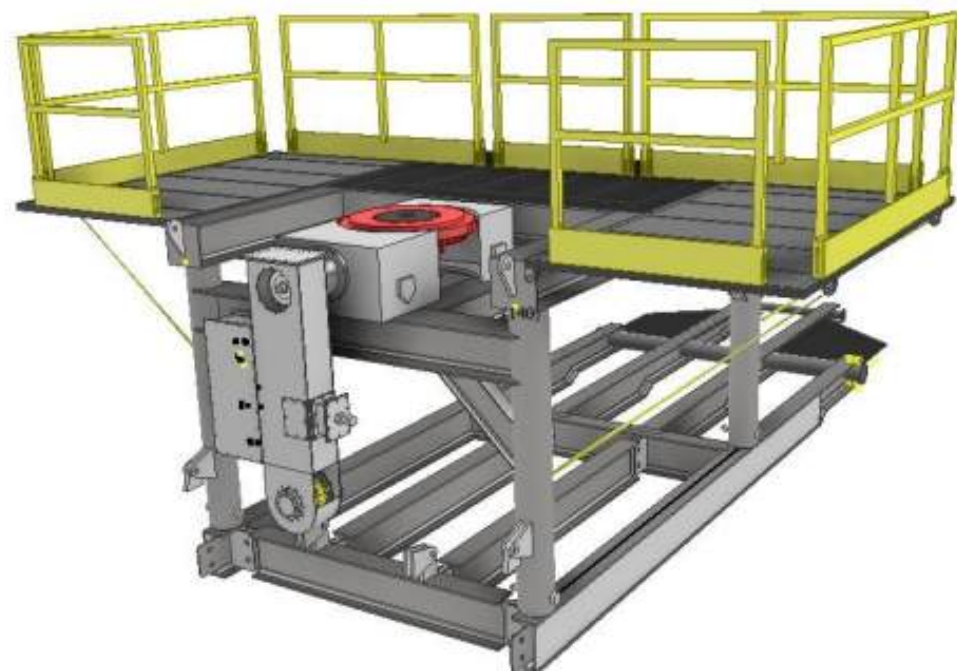


dcstandards.management@gmail.com



D&C
STANDARDS

FAST MOVE SUBSTRUCTURE



+57 3003389171

+57 3022598171



dcstandards.management@gmail.com



D&C
STANDARDS

PIPE HANDLER



+57 3003389171

+57 3022598171

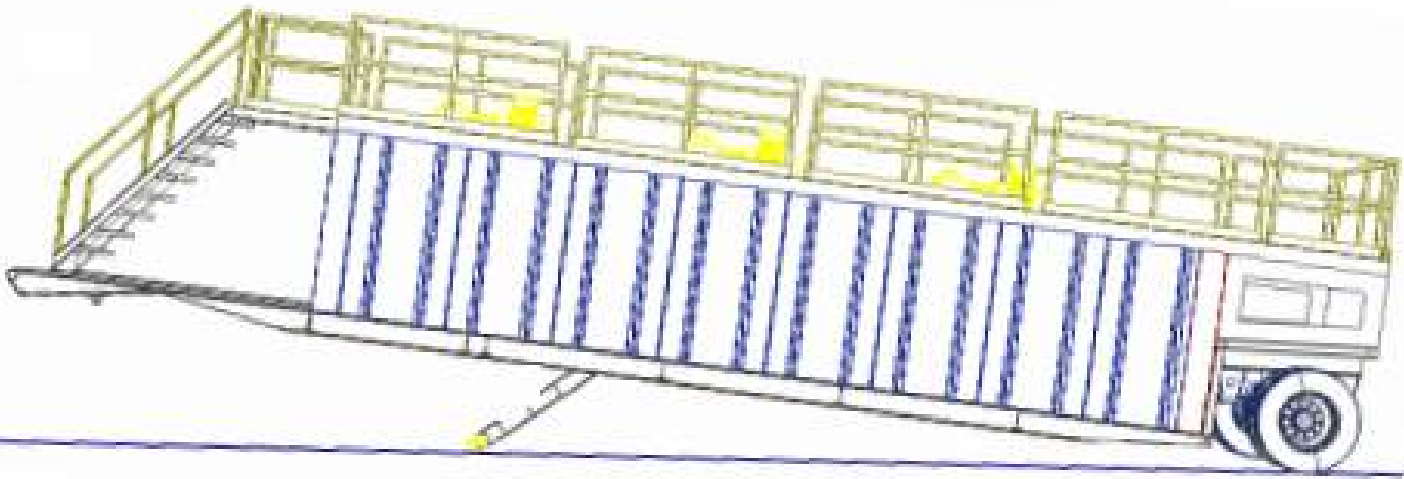


dcstandards.management@gmail.com



D&C
STANDARDS

HYDRAULIC MUD TANK



+57 3003389171

+57 3022598171

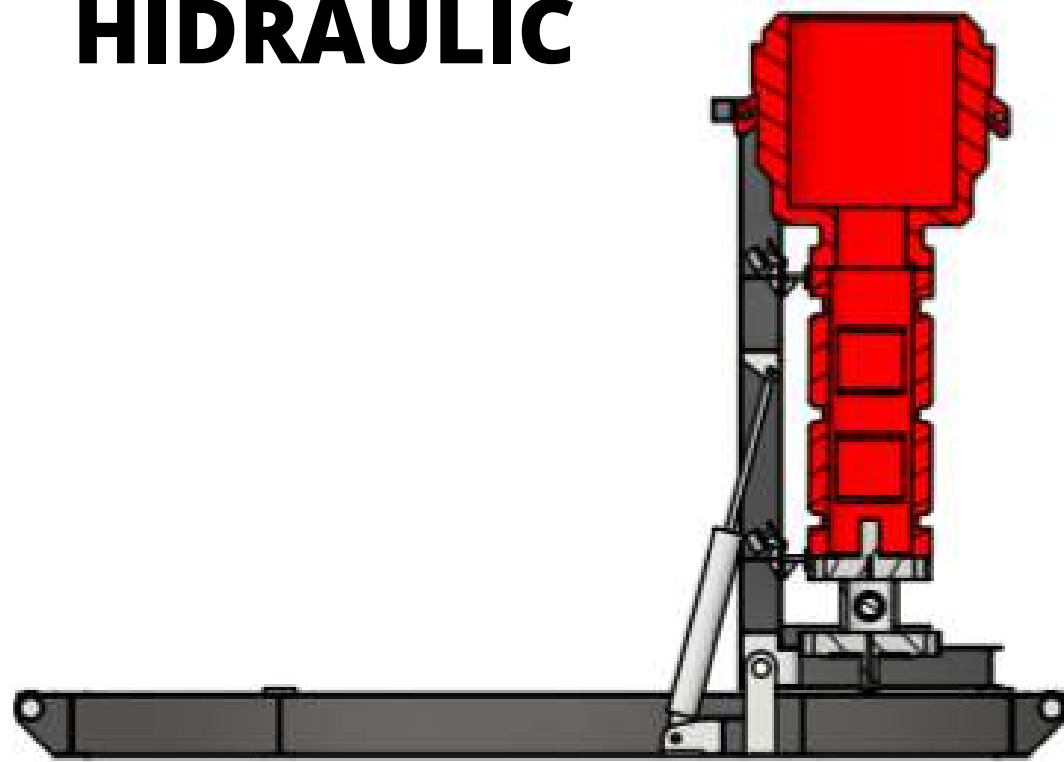


dcstandards.management@gmail.com



D&C
STANDARDS

TEST SKID BOP
HIDRAULIC



+57 3003389171

+57 3022598171

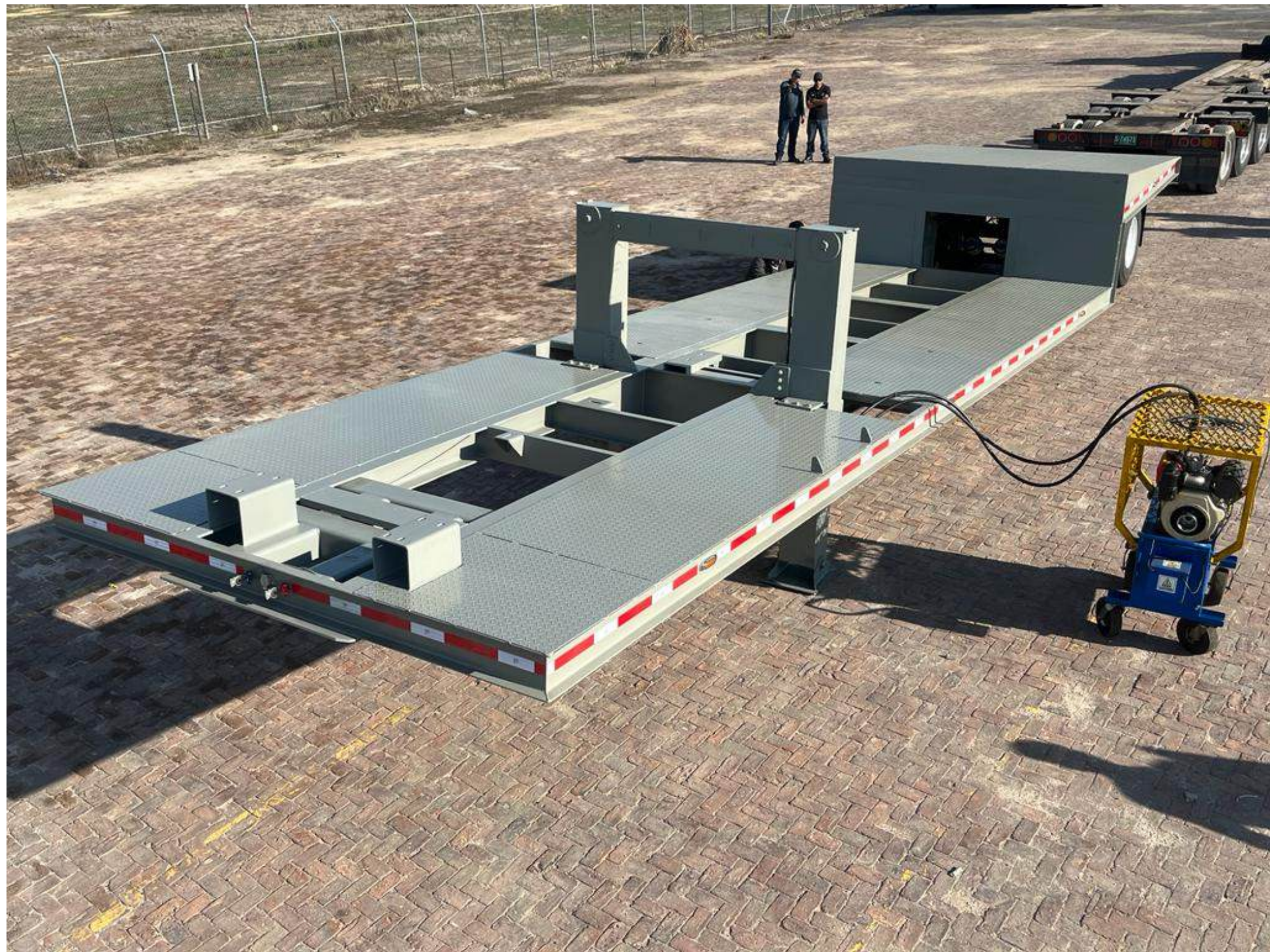
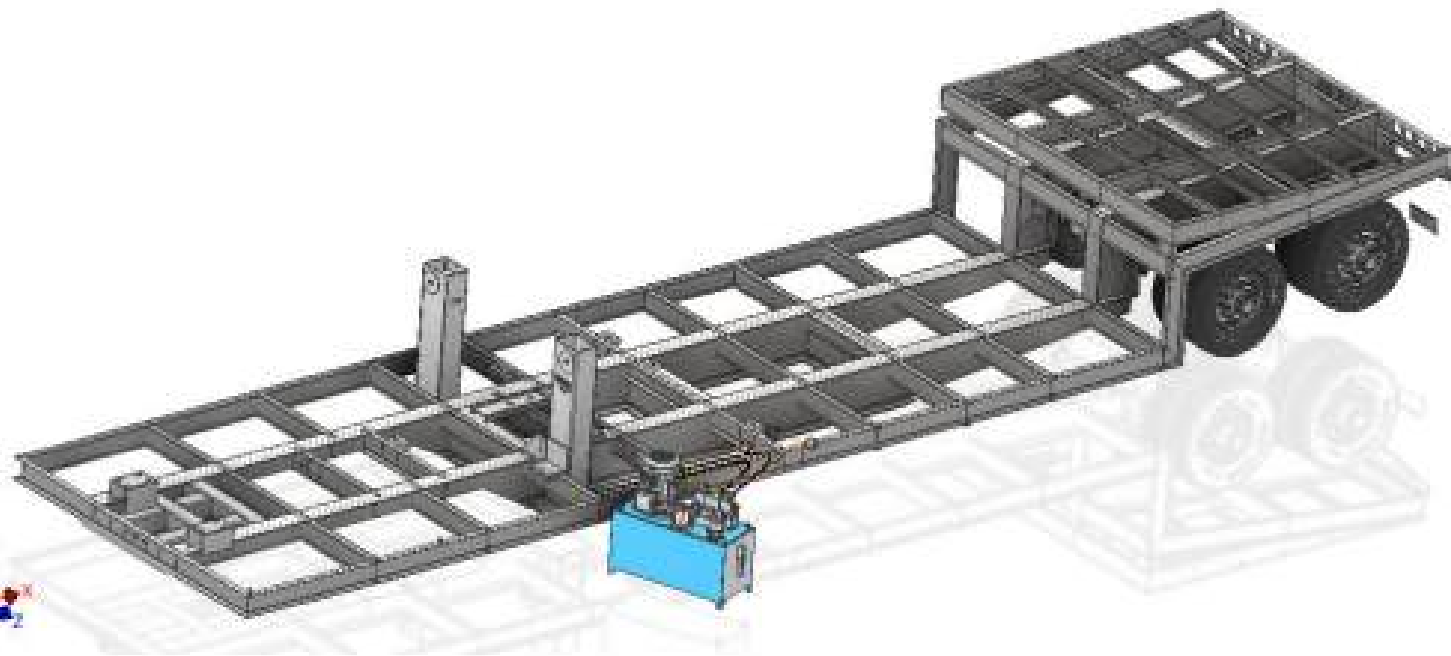


dcstandards.management@gmail.com



D&C
STANDARDS

HYDRAULIC LOW BOY



Optimización de cargas



+57 3003389171

+57 3022598171

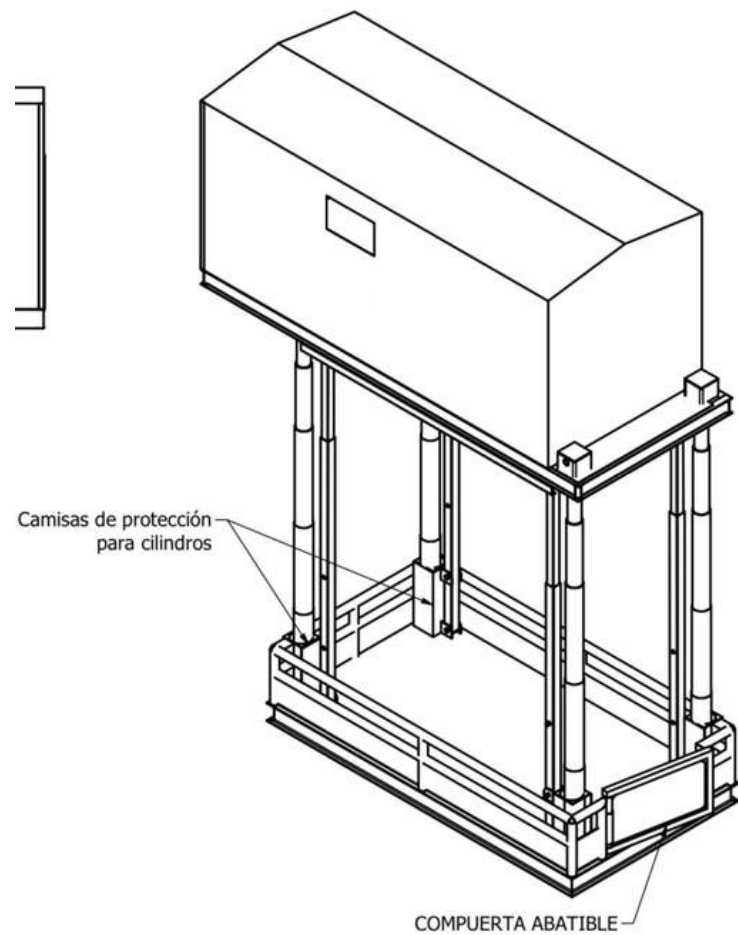


dcstandards.management@gmail.com



D&C
STANDARDS

Hydraulic Dog House



+57 3003389171

+57 3022598171

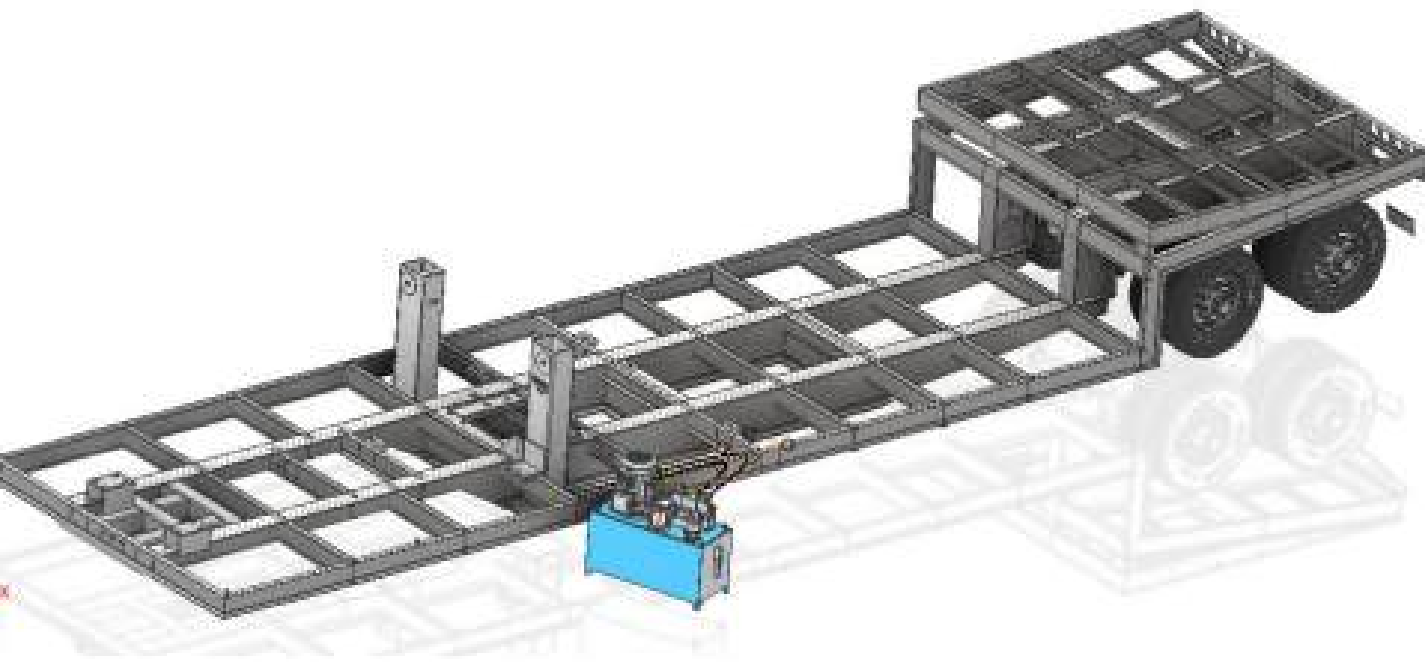


dcstandards.management@gmail.com



D&C
STANDARDS

HYDRAULIC LOW BOY FASTMOVE



+57 3003389171

+57 3022598171

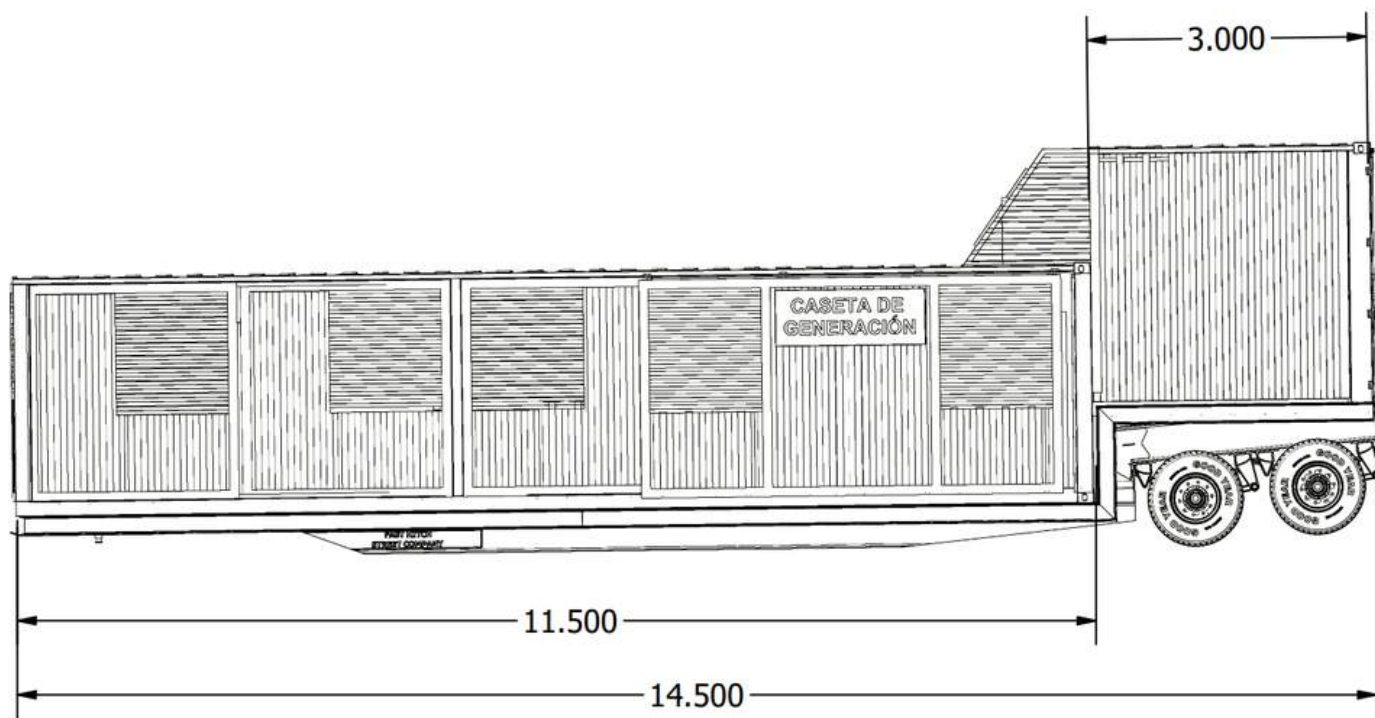


dcstandards.management@gmail.com



D&C
STANDARDS

LOW BOY GENERATION



+57 3003389171

+57 3022598171

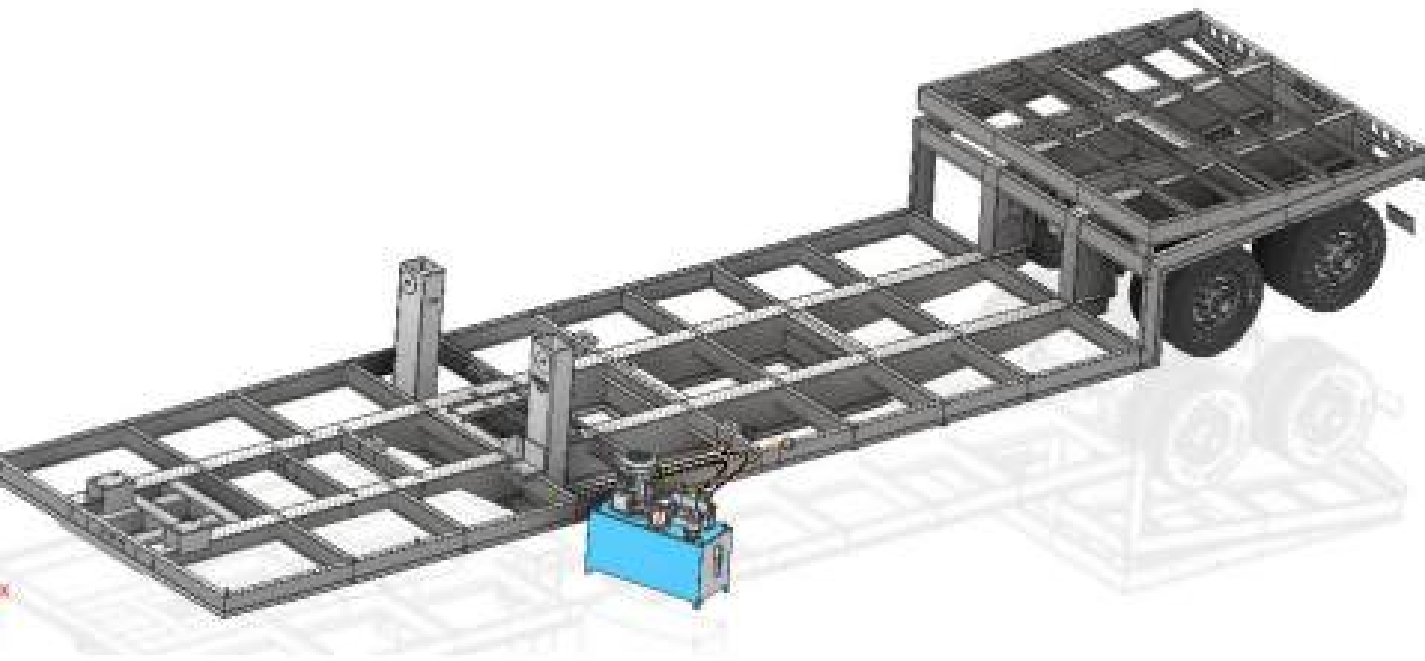


dcstandards.management@gmail.com



D&C
STANDARDS

HYDRAULIC LOW BOY FASTMOVE



Optimización de cargas



+57 3003389171

+57 3022598171

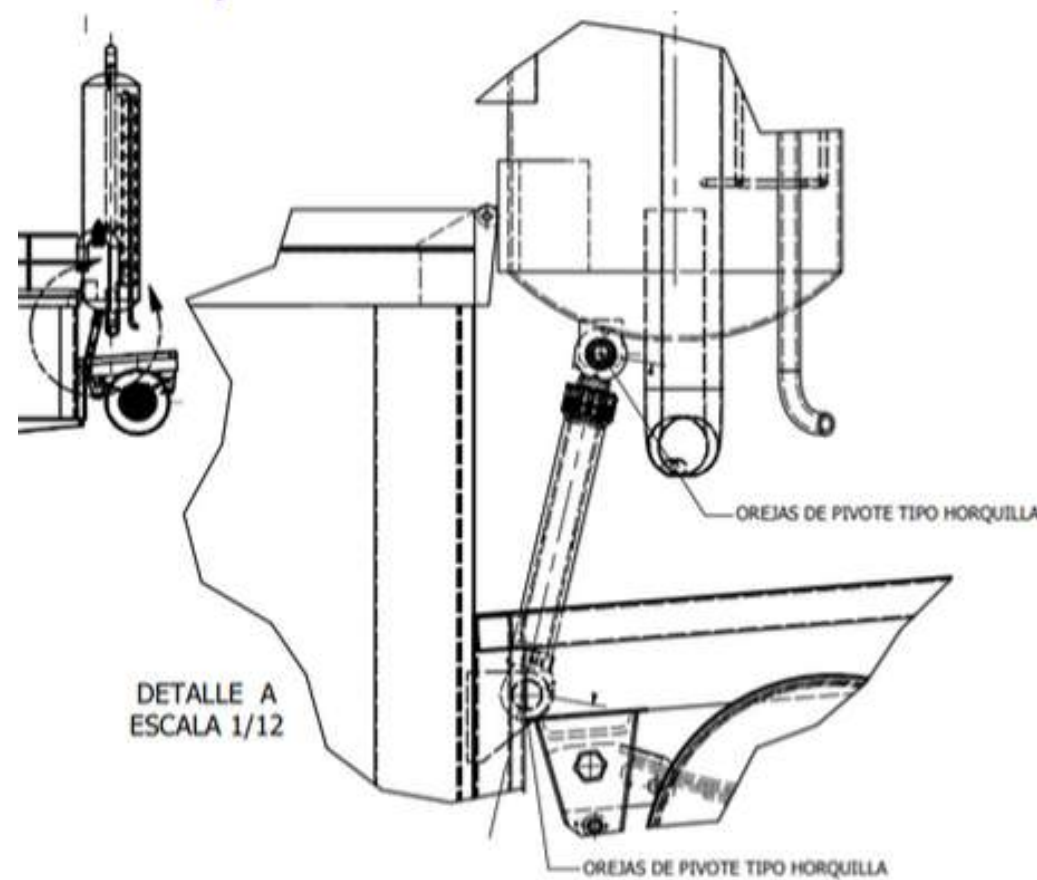


dcstandards.management@gmail.com



D&C
STANDARDS

HYDRAULIC POORBOY



+57 3003389171

+57 3022598171

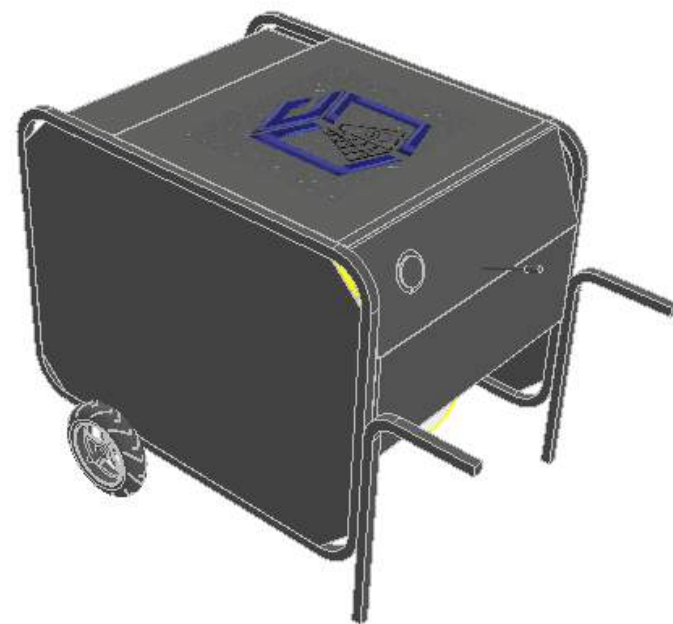


dcstandards.management@gmail.com



D&C
STANDARDS

HPU **hydraulic Power Unit**



+57 3003389171

+57 3022598171

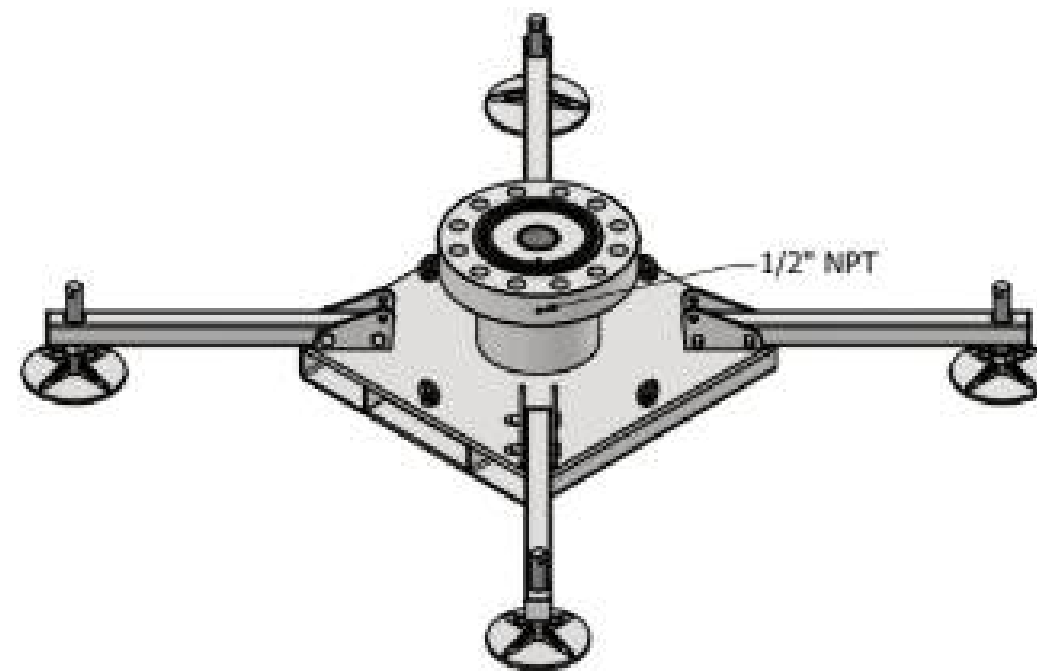
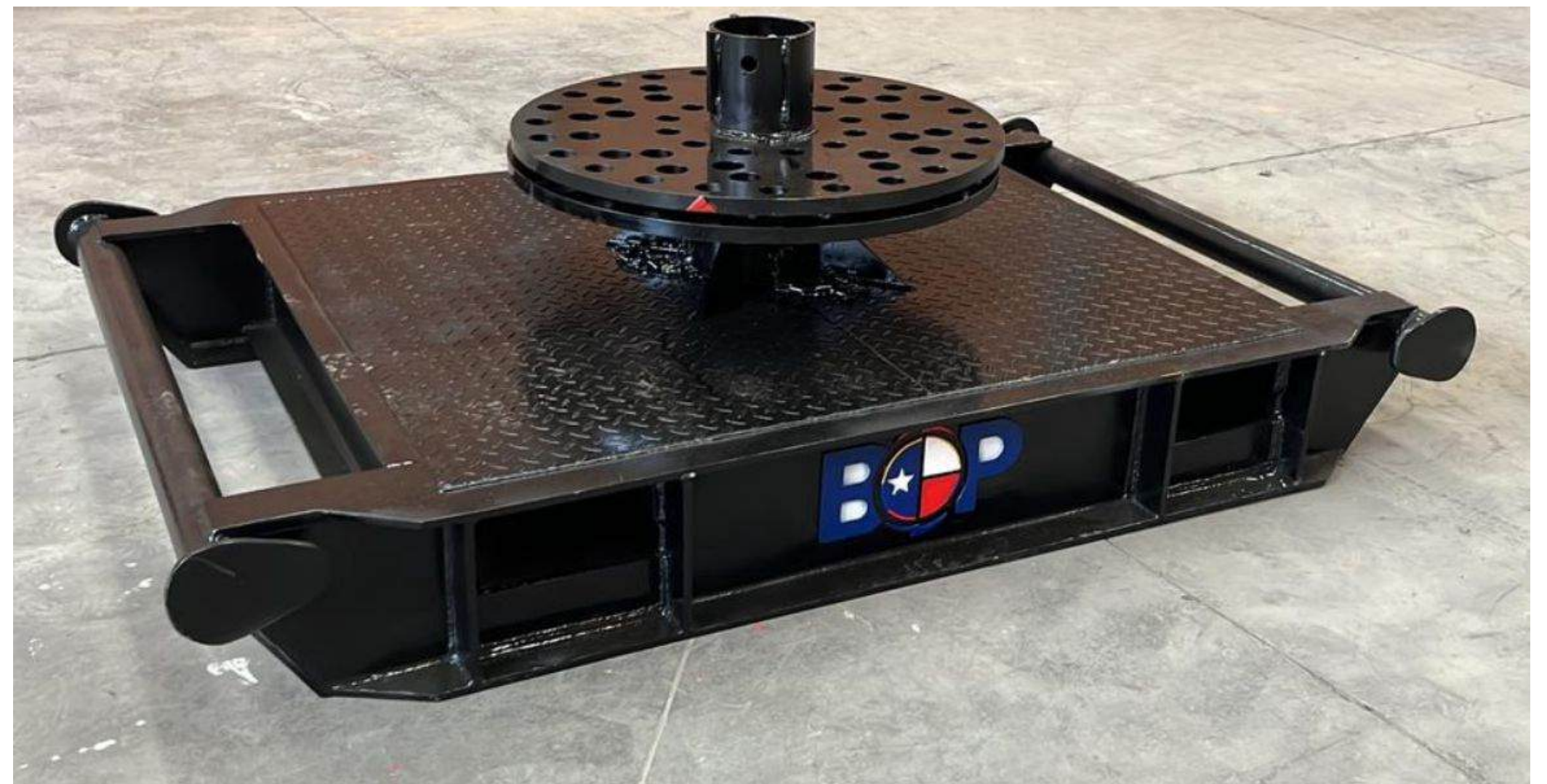
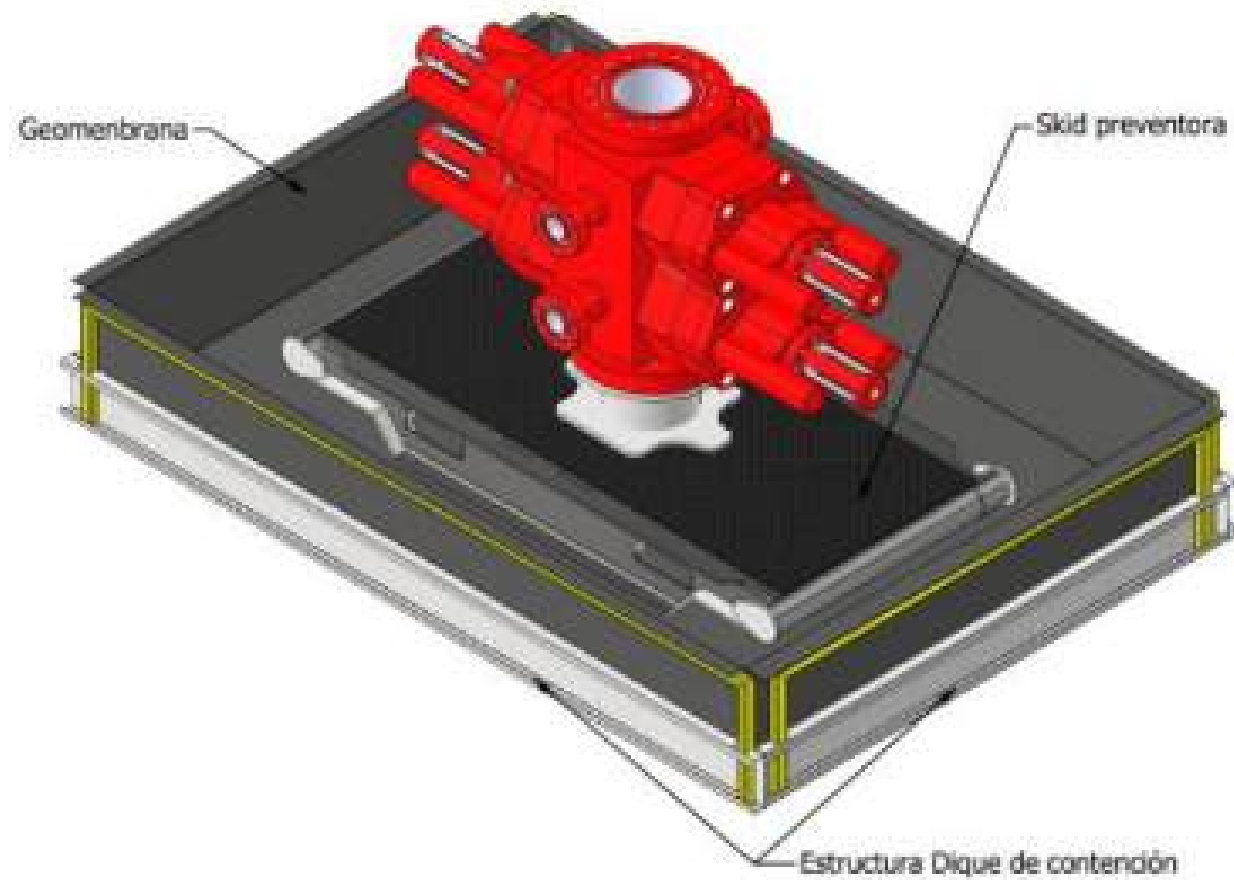


dcstandards.management@gmail.com



D&C
STANDARDS

TEST STUMP



+57 3003389171

+57 3022598171

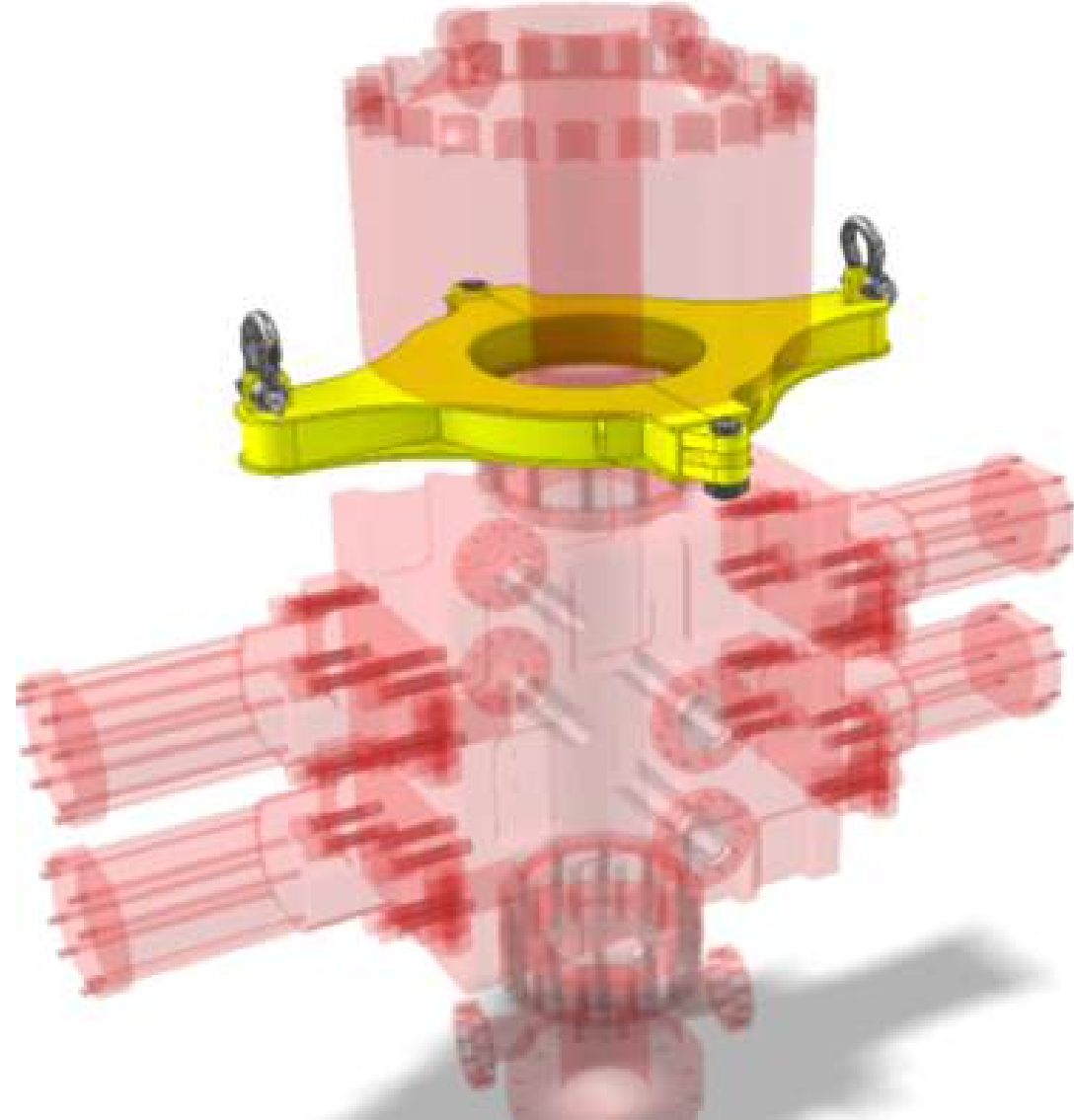


dcstandards.management@gmail.com



D&C
STANDARDS

BOP LIFTHING CLAMP



+57 3003389171

+57 3022598171

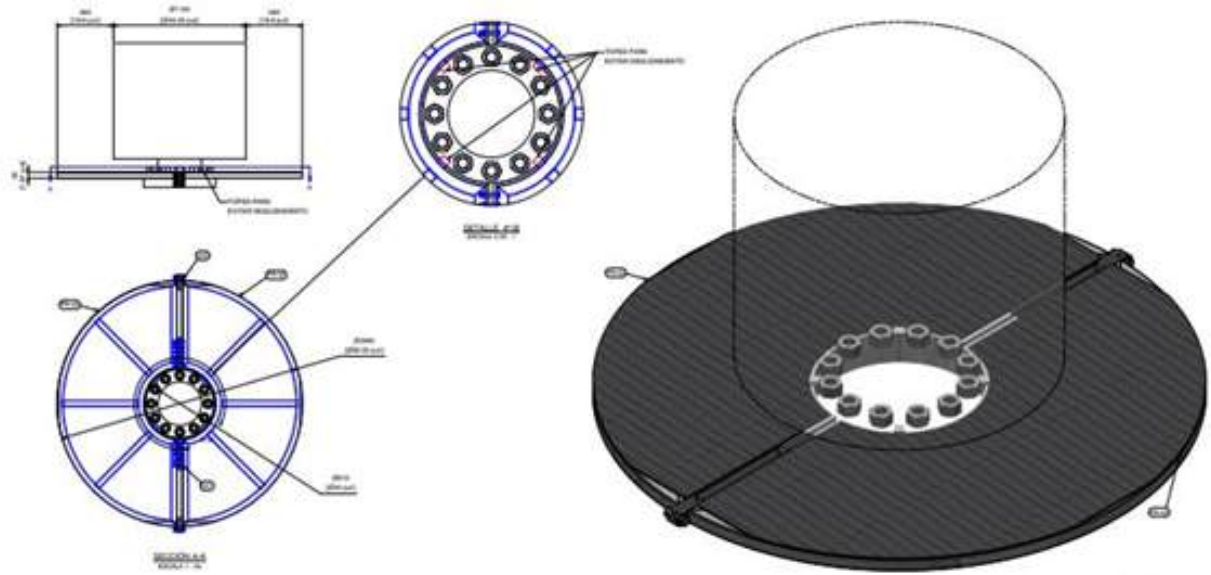


dcstandards.management@gmail.com



D&C
STANDARDS

FLOATING FLOOR BOP



+57 3003389171

+57 3022598171

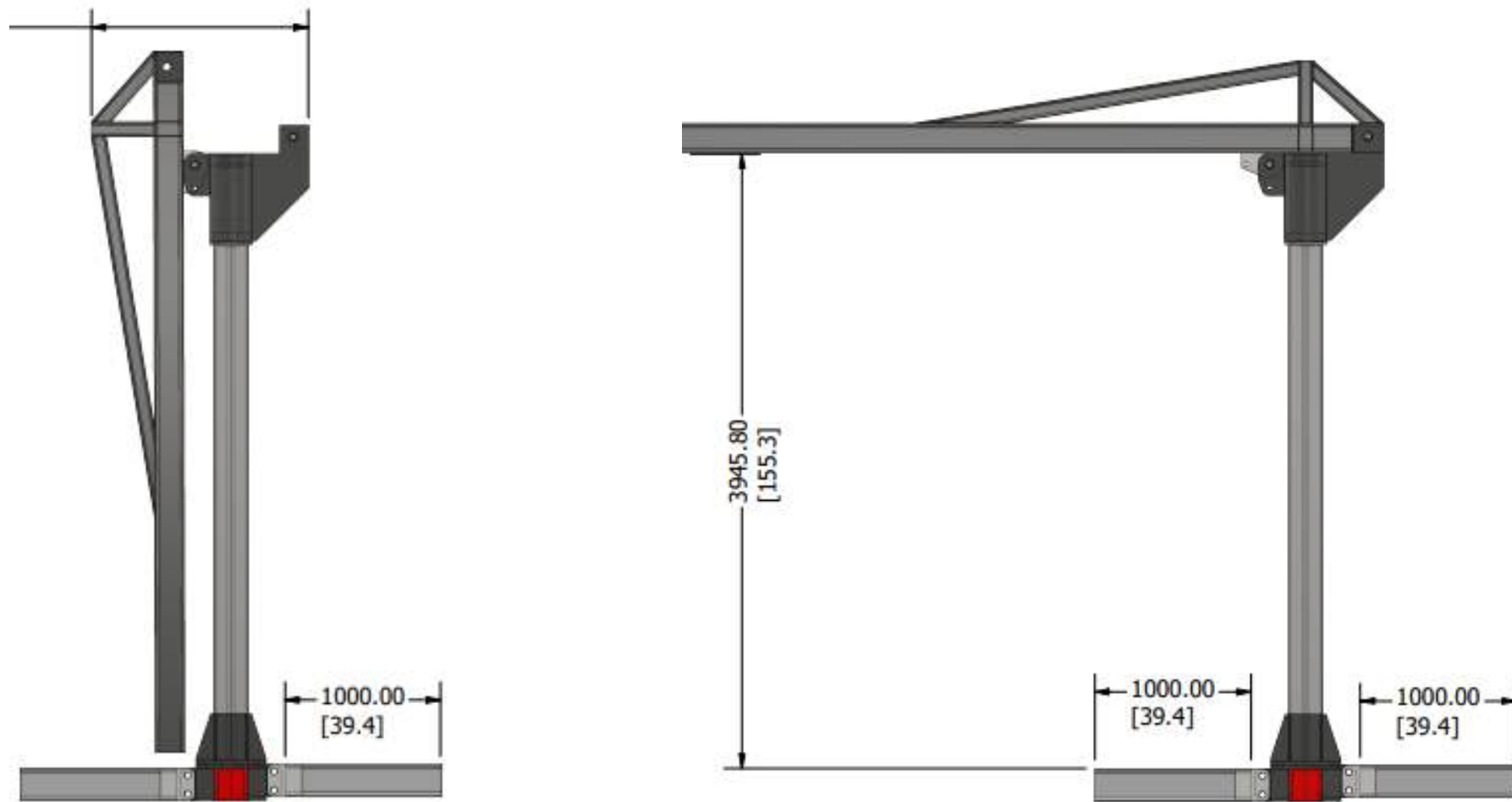


dcstandards.management@gmail.com



D&C
STANDARDS

DAVID ARM



+57 3003389171

+57 3022598171



dcstandards.management@gmail.com



D&C
STANDARDS

SKID FAST MOVE



+57 3003389171

+57 3022598171

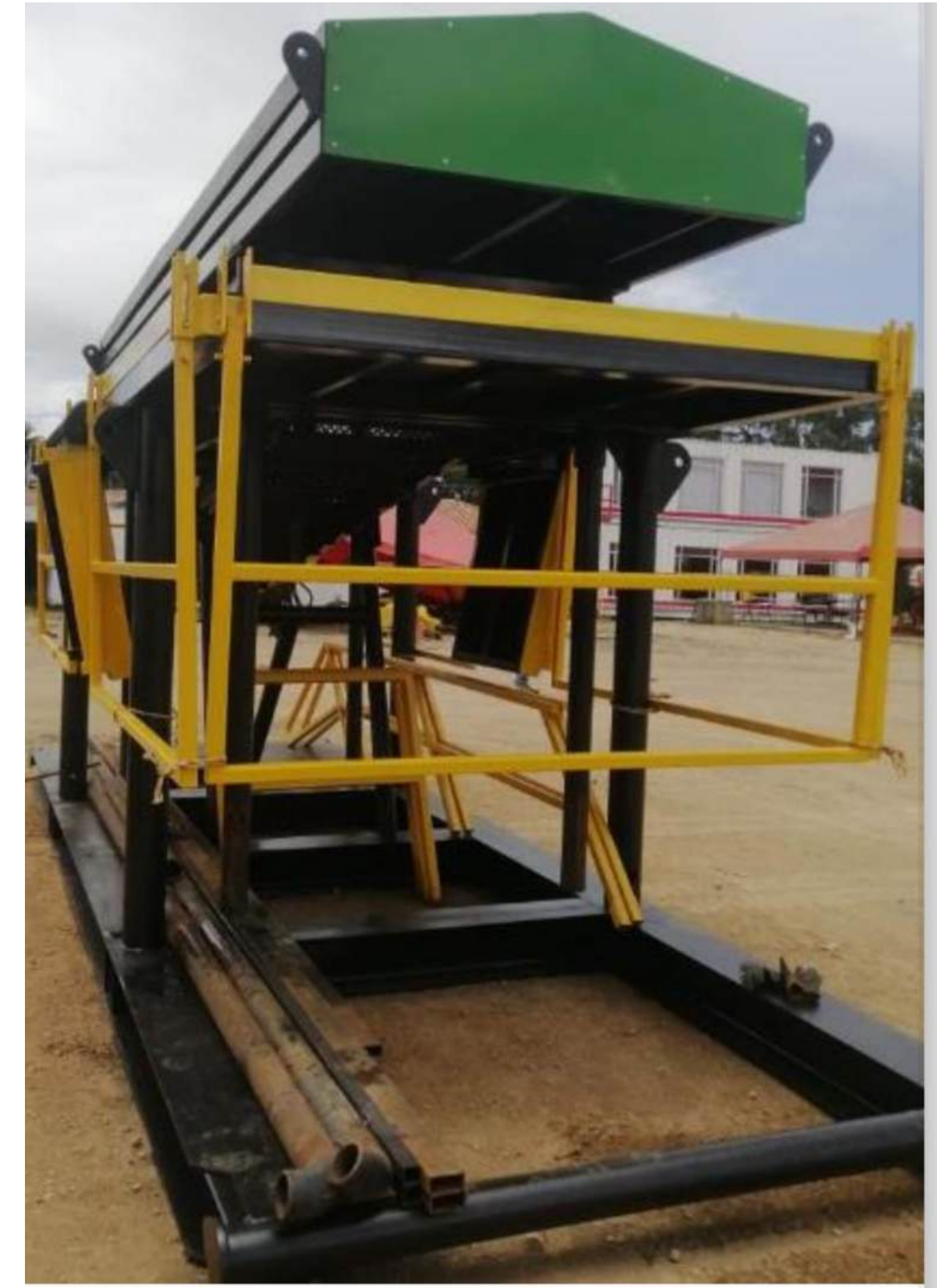
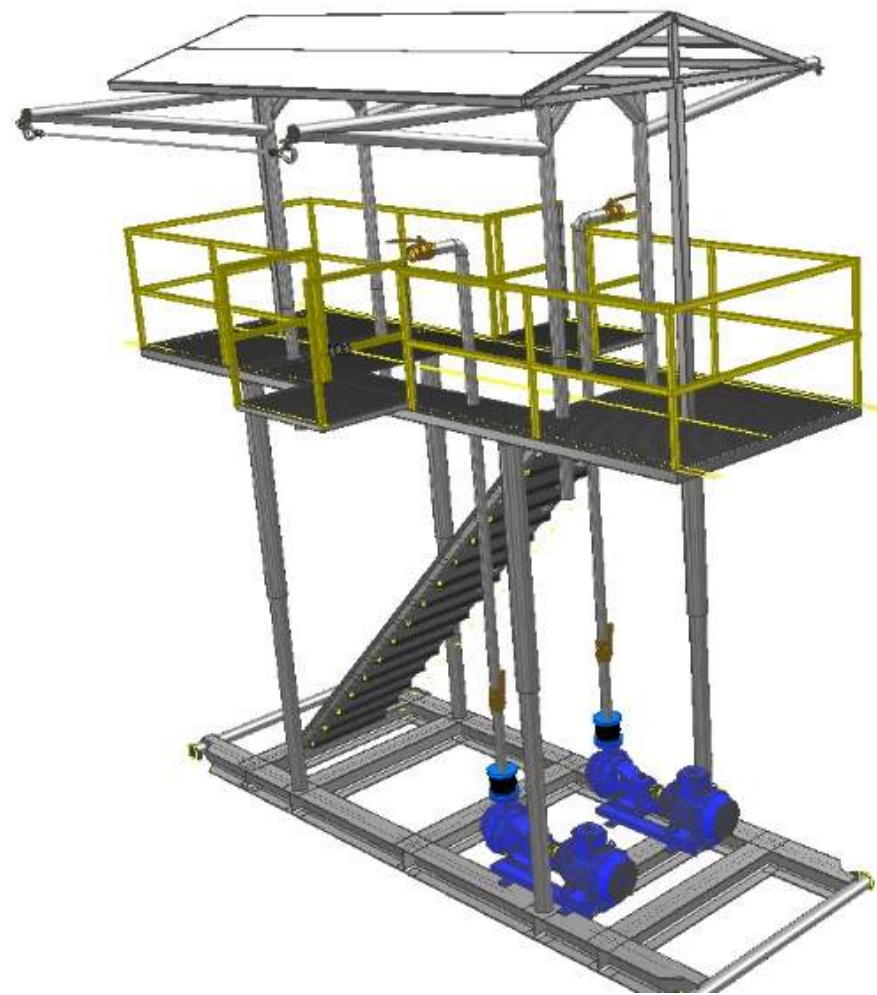


dcstandards.management@gmail.com



D&C
STANDARDS

Oil loading rack



+57 3003389171

+57 3022598171

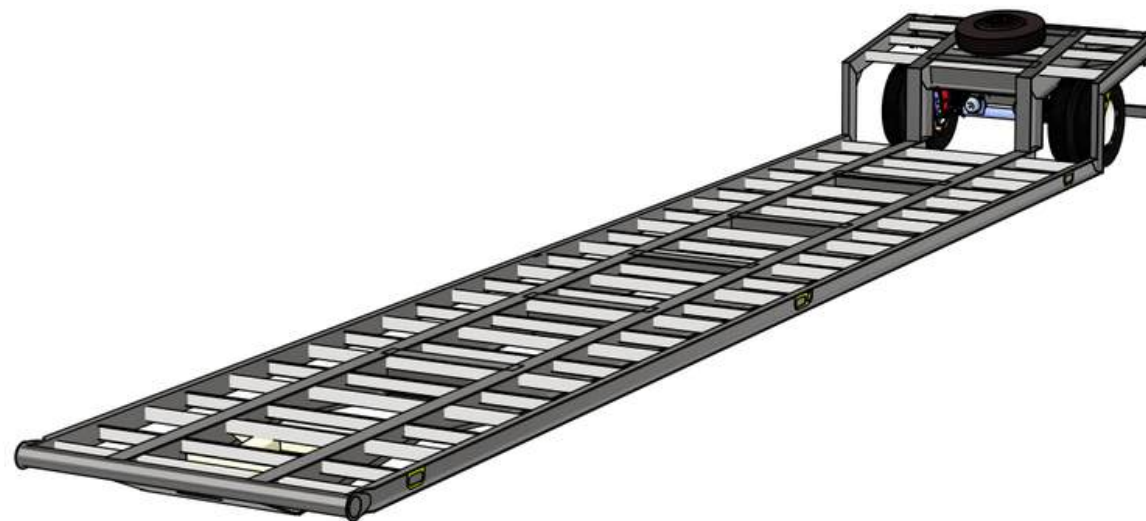


dcstandards.management@gmail.com



D&C
STANDARDS

TRAILERS



+57 3003389171

+57 3022598171

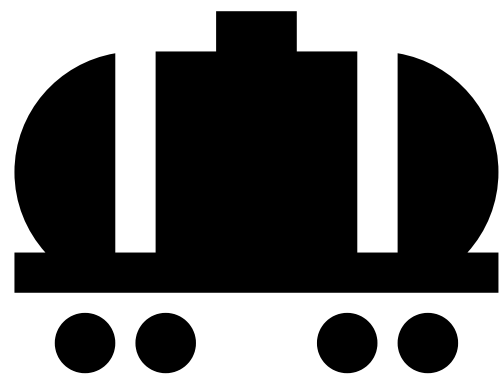


dcstandards.management@gmail.com



**D&C
STANDARDS**

TANK



+57 3003389171

+57 3022598171

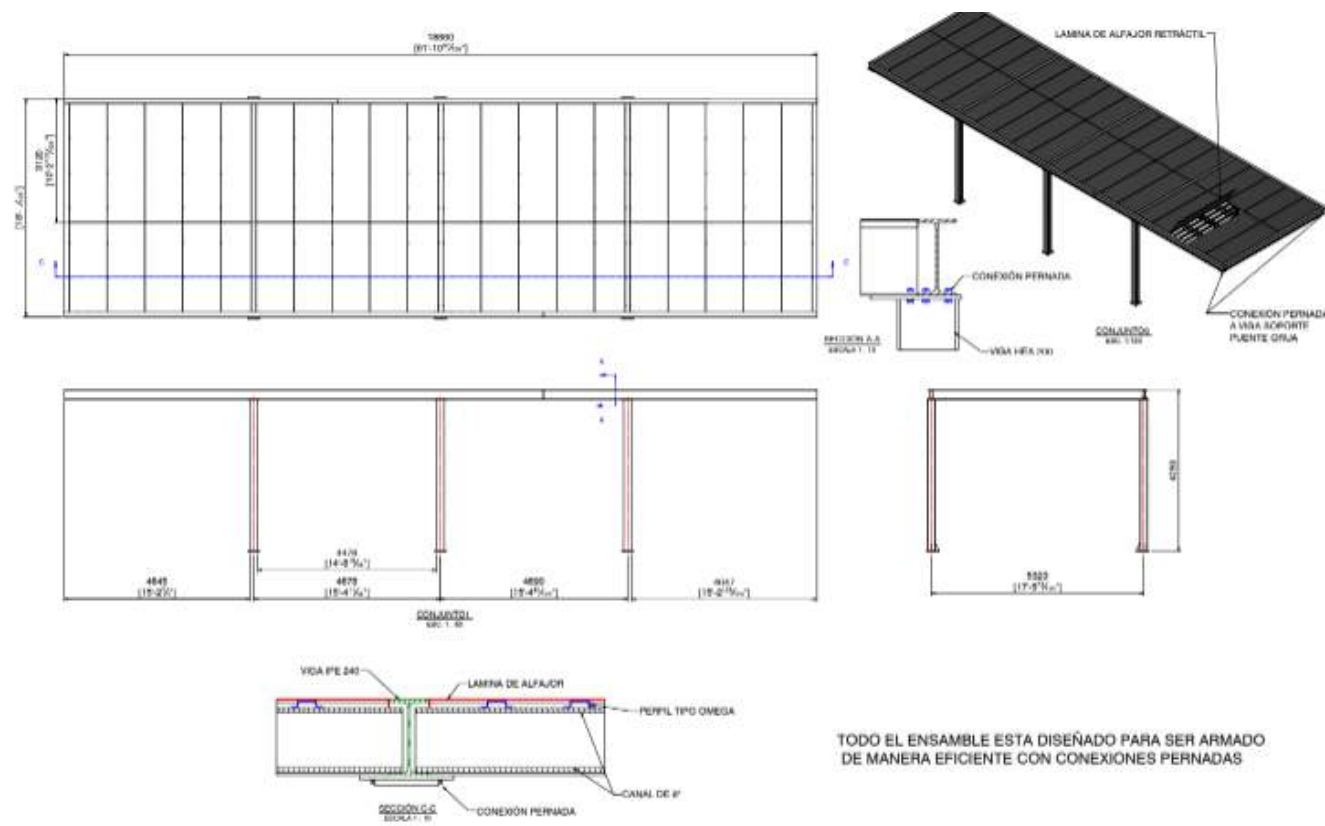


dcstandards.management@gmail.com



D&C
STANDARDS

Mezzanine



+57 3003389171

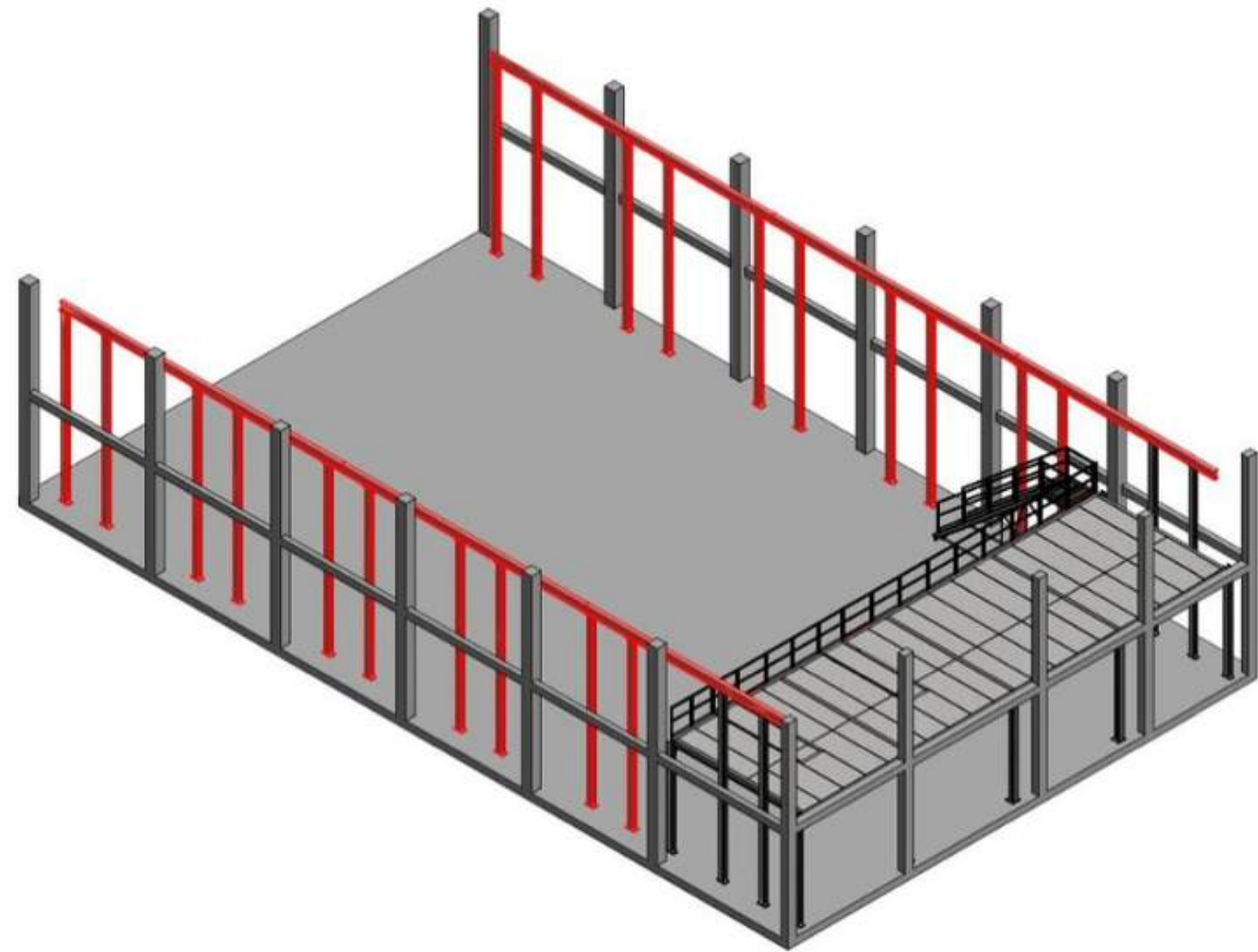
+57 3022598171



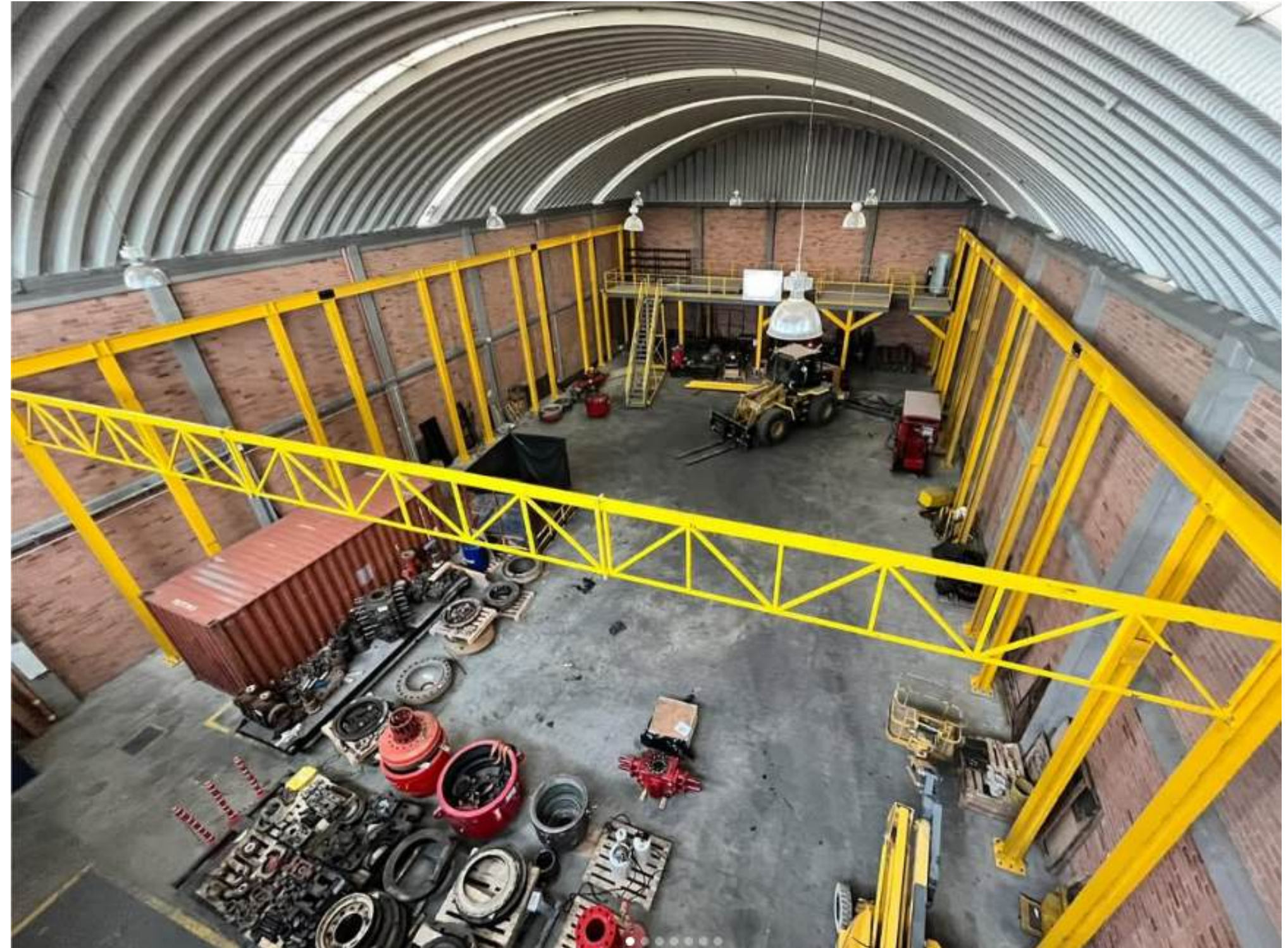
dcstandards.management@gmail.com



D&C
STANDARDS



OVERHEAD CRANE STRUCTURE



+57 3003389171

+57 3022598171



dcstandards.management@gmail.com